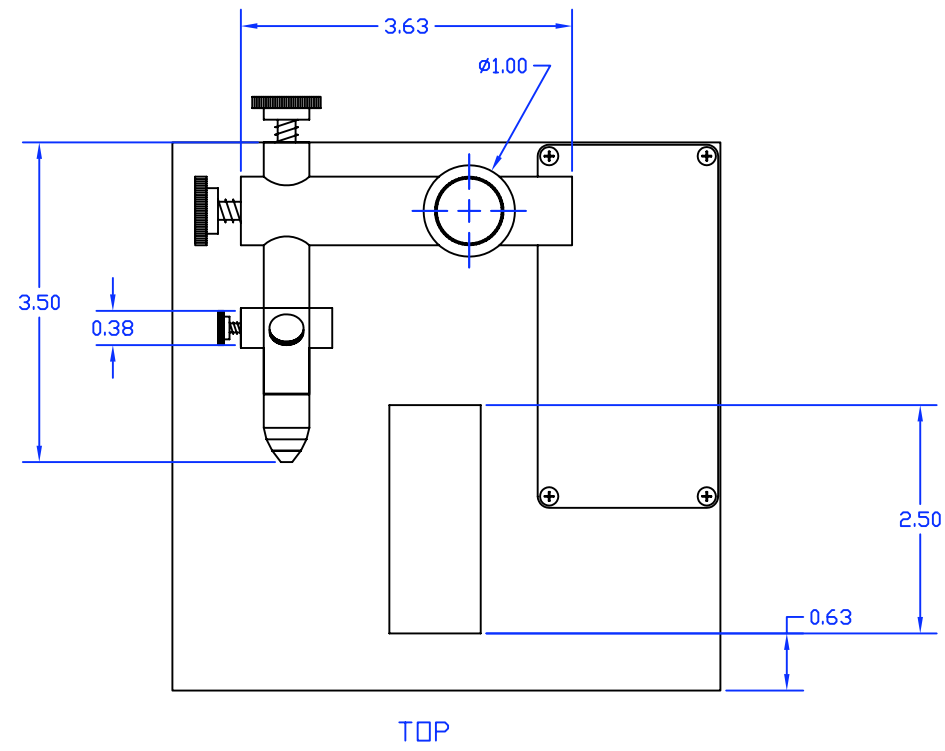
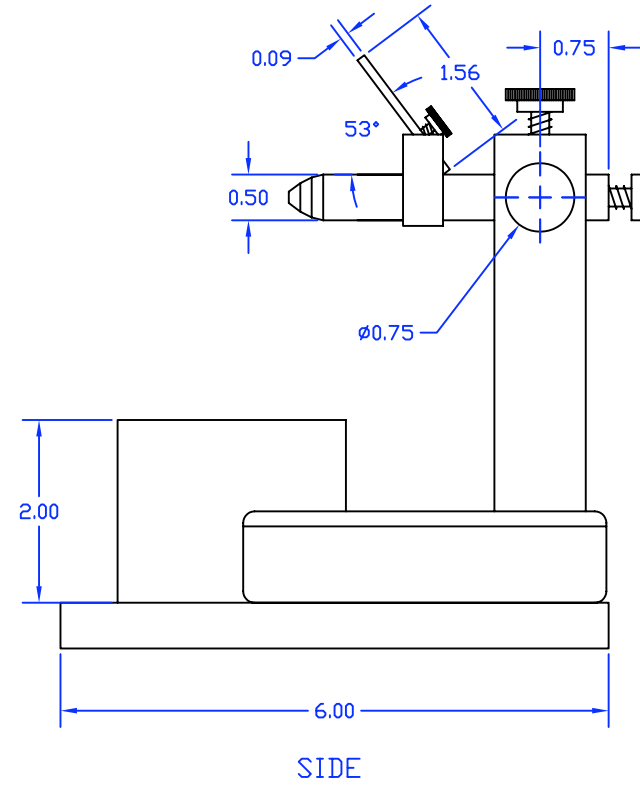
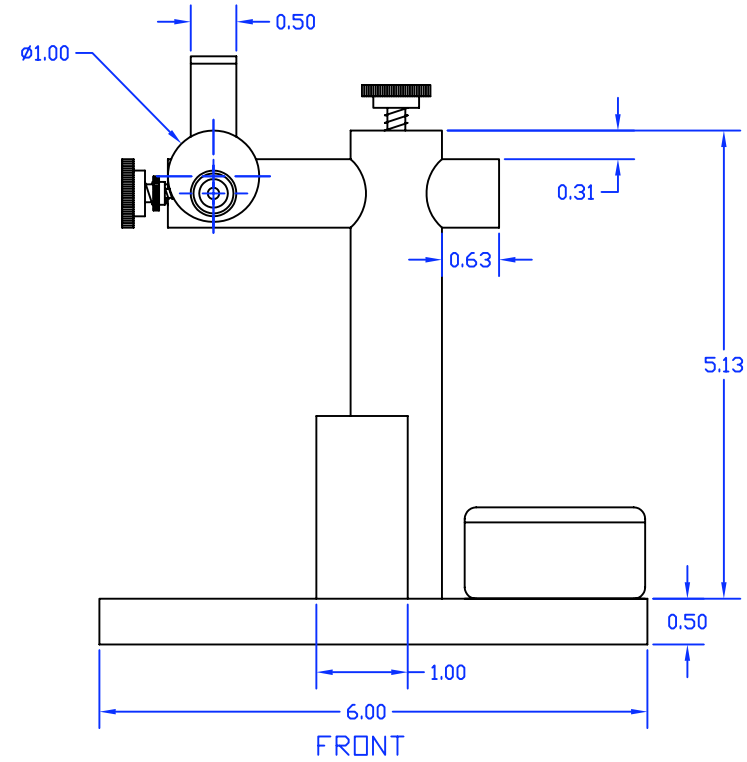




REVISIONS				
ZONE	REV	DESCRIPTION	DATE	APPROVED



DRAWN BY A. RINGER 1/15/06		SIZE	FSCM NO.	DWG NO.	REV
SCALE		SHEET			

