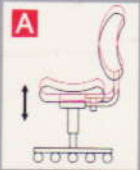
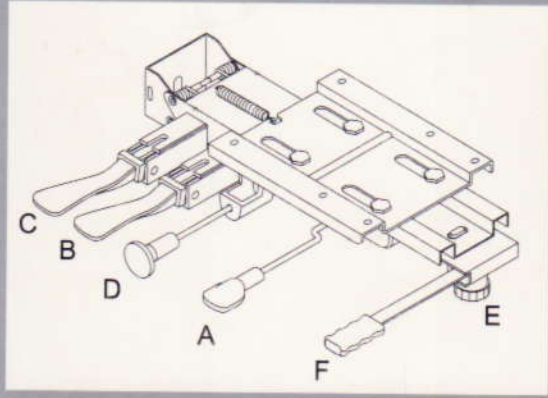
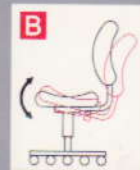


writeup

chairs



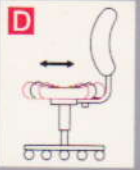
***Pneumatic seat height adjustment**
Regulates height of chair relative to floor.



***Seat angle adjustment**
Seat angle adjusts independently with a single lever.



***Back angle adjustment**
Back angle adjusts independently with a single lever.



***Sliding seat**
It provides seat depth adjustment for different user leg lengths.



***Tilt tension**
Controls rate and ease of recline



***Forward tilt lever**
Provides tilting forward.