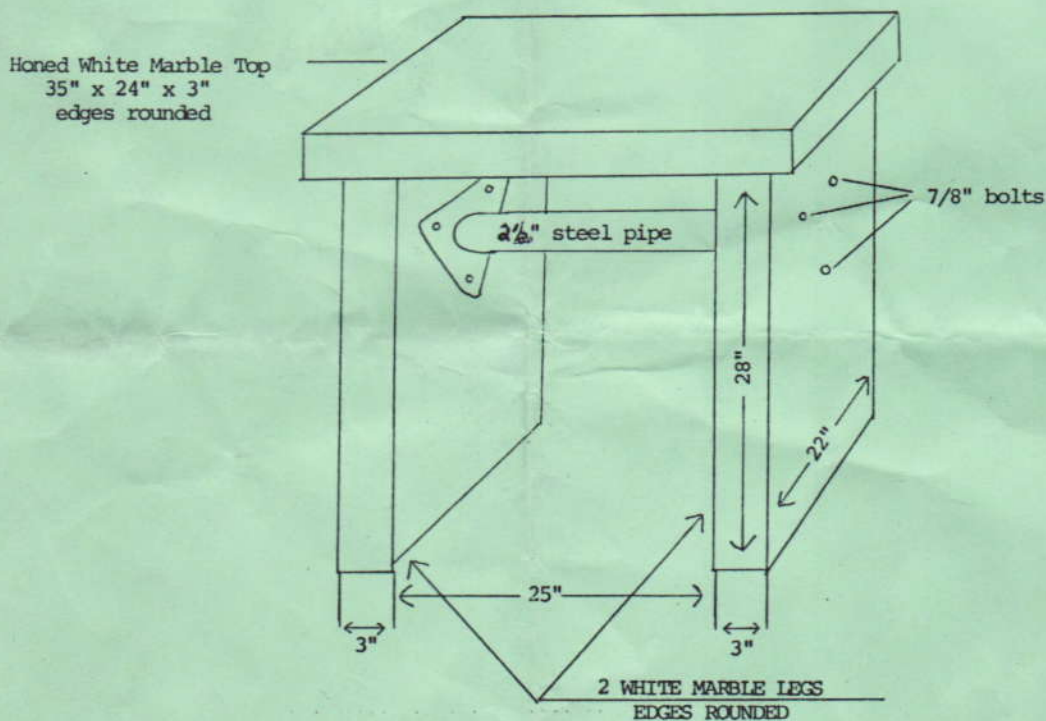


MARBLE BALANCE TABLE ASSEMBLY AND SET UP INSTRUCTIONS

- STEP 1 Place two side supports in verticle position with holes toward the top.
- STEP 2 Insert bolts into holes of marble with pipe between those two supports.
- STEP 3 Tighten bolt by hand until base is in permanent location.
- STEP 4 Move base to permanent location, at least 2" away from wall and tighten bolts with wrench.
- STEP 5 Place four vibrating dampers on each corner of support pieces.
- STEP 6 Place table top evenly on base with finished side up, at least 1" away from wall.
- STEP 7 Press down on each corner of table top. If there is any movement place lead shim under corner of leg supports as required.
- STEP 8 Place your balance on table and adjust level of balance with foot screws.

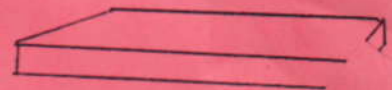
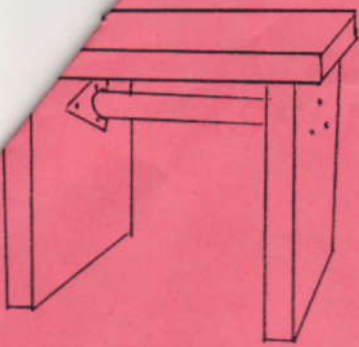
NOTE: Other damping vibration elements are available from your analytical supplier.



AWET Marble & Granite, Inc.
Route 4 - PO Box 219
Center Rutland, Vt 05736-0219

(802) 773-8868
(800) 323-6398
(802) 773-2763 FAX

News



VERMONT MARBLE
BALANCE TABLE

VERMONT MARBLE SLAB

Danby Vermont Marble is a resource material quarried, fabricated, and inspected by us in Vermont. It has natural characteristics such as: density properties, absorption rates, shock & vibration reduction slides, added with just the right hardness and soundness classification to combine for the ultimate in STABILITY, DAMPENING EFFECT, and ELIMINATION OF VIBRATION for the clear reading of analytical instruments, not to mention its natural beauty! NO other material or table compares to Danby Vermont Marble.

This table is most suitably used. The legs are reinforced with a cast iron support pipe, all edges are rounded, and both the table top and the legs are 3" thick. The marble is easily cleaned.

Overall dimensions:
35" wide x 31" high x 24" deep

Weight: 700 lbs.

CUSTOM SIZES & DIMENSIONS ARE WELCOMED & ACCOMMODATED!

FOR SUPERIOR PERFORMANCE, PRECISION, AND ACCURACY.....DEMAND DANBY VERMONT MARBLE FOR TABLES, SLABS, AND TOPS IN YOUR LABORATORY!

The Vermont Marble Slab is for use on laboratory furniture. It SUBSTANTIALLY REDUCES VIBRATION AND SHOCK where a Danby Vermont Marble Balance Table cannot be used.

Dimensions: 13" x 20" x 2" thick

Weight: 70 lbs.

CUSTOM SIZES & DIMENSIONS ARE WELCOMED & ACCOMMODATED!

VERMONT GRANITE TABLES AND SLABS

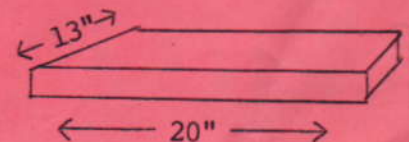
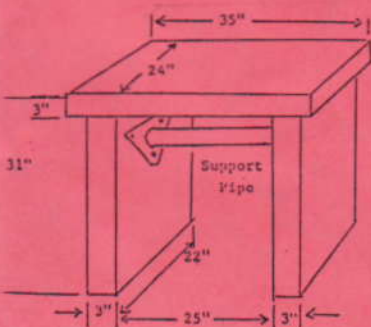
Vermont Granite is the color of gray.

Balance Tables and Slabs are available in Vermont Granite in the same standard dimensions as the Danby Vermont Table and Slab listed above.

NOTE: Granite DOES NOT have the qualities of marble and is LESS SHOCK RESISTANT. However, Vermont Granite is harder and will stand up with harsher laboratory chemicals!

**ASK YOUR DEALER/SUPPLIER
NEW DEALERS WELCOME!**

MARBLE TABLES - to reduce vibration when using analytical balances!



GAWET MARBLE & GRANITE, INC.
Route 4 - PO Box 219
Center Rutland, Vt. 05736-0219
(802) 773-8868 (800) 323-6398

Web Page: <http://www.vermontel.net/~gawet/>
E-mail: gawet@vermontel.net (no purchase orders)