

**Danby**<sup>®</sup> Designer

**OWNER'S MANUAL**

Model • Modèle • Modelo

**DAR195W**  
**DAR195BL**

**CAUTION:**

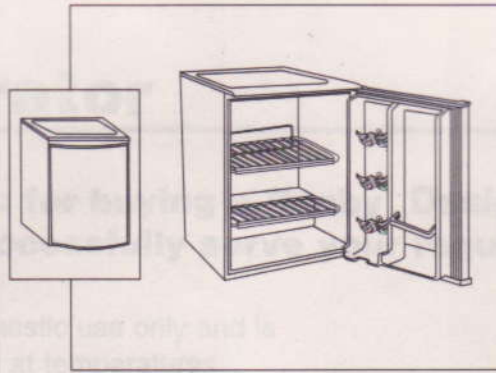
Read and follow all safety rules and operating instructions before first use of this product.

**PRÉCAUTION:**

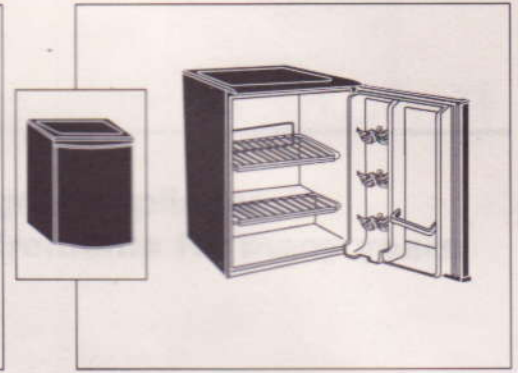
Veuillez lire attentivement les consignes de sécurité et les instructions d'utilisation avant l'utilisation initiale de ce produit.

**ADVERTENCIA:**

Lea y siga todas las reglas de seguridad e instrucciones de funcionamiento antes de usar este artefacto por primera vez.



**DAR195W**



**DAR195BL**

**ALL REFRIGERATOR**

- Before Putting Into Use ..... 2
- Important ..... 3
- Placing and Installation ..... 4
- Description of the Appliance ..... 5
- Operation Control ..... 6
- Use ..... 7
- Maintenance and Cleaning ..... 8
- Changing the Direction of opening the Door ..... 9
- Trouble Shooting Guide ..... 10

**LE TOUT RÉFRIGÉRATEUR**

- Prieur à la mise en marche ..... 15
- Important ..... 16
- Position et Installation ..... 17
- Description de l'appareil ..... 18
- Description des commandes ..... 19
- Utilisation ..... 20
- Soins et entretiens ..... 21
- Changement du sens d'ouverture de la porte ..... 22
- En cas de problème ..... 23

**TODA REFRIGERADORA**

- Antes de comenzar a usarla ..... 28
- Importante ..... 29
- Ubicación e instalación ..... 30
- Descripción del artefacto eléctrico ..... 31
- Controles de operación ..... 32
- Uso ..... 33
- Mantenimiento y limpieza ..... 34
- Cambio de dirección de la apertura de la puerta ..... 35
- Guía de solución de averías ..... 36



# All Refrigerator

**Thank you for buying a Danby Designer appliance.  
We hope it will successfully serve your requirements for many years.**

**This Refrigerator** is for domestic use only and is intended for storing fresh foods at temperatures higher than 0°/ 32°F.

## SAVE THESE INSTRUCTIONS

<b>Before Putting Into Use</b> . . . . .	<b>2</b>	<b>Use</b> . . . . .	<b>7</b>
Instructions for Use		Storing Fresh Foods	
We Care for the Environment		<b>Maintenance and Cleaning</b> . . . . .	<b>8</b>
Tips for Energy Savings		Automatic Defrosting of the Refrigerator	
<b>Important</b> . . . . .	<b>3</b>	Cleaning of the Appliance	
Disposing of Worn Out Appliances		Switch Off the Appliance When Not In Use	
<b>Placing and Installation</b> . . . . .	<b>4</b>	<b>Changing the Direction of</b>	
Choosing the Right Place		<b>Opening the Door</b> . . . . .	<b>9</b>
Placing the Self-standing Appliance		<b>Trouble-Shooting Guide</b> . . . . .	<b>10</b>
Connection to Power Supply			
<b>Description of the Appliance</b> . . . . .	<b>5</b>		
<b>Operation Control</b> . . . . .	<b>6</b>		
Temperature Selection			



# Before Putting Into Use

- Before connecting the appliance to electrical power supply, leave it stand for about 2 hours, which will reduce the possibility of malfunctions in the cooling system due to transport handling.
- Clean the appliance thoroughly, especially in the interior (See Cleaning and Maintenance).
- In case the interior accessories are not correctly placed, rearrange them as described in chapter "Description of the Appliance".
- If the gasket is damaged or the door seal is poor, energy consumption is substantially higher. To restore efficiency, replace the gasket.
- Always consider instructions stated in sections Positioning and Energy Saving Tips, otherwise the energy consumption is substantially higher.

## Instructions for Use

These instructions for use are intended for the user. They describe the appliance and correct operating procedures for safe use.

**SAVE THESE INSTRUCTIONS:**

## We Care for the Environment

- Our products use environmentally friendly manner. To this end, individual packaging materials are clearly marked.
- These instructions are printed either on recycled paper or chlorine free bleached paper.
- When your appliance finally wears out, please try not to burden the environment with it; call your nearest authorized service agent. (See Disposing of Worn Out Appliance)

## Tips for Energy Savings

- Try not to open the door too often, especially when the weather is hot and humid. Once you open the door, close it as soon as possible. This is especially important if you have an upright model.
- Every now and then check if the appliance is sufficiently ventilated (adequate air circulation behind the appliance).
- Set the thermostat from higher to lower settings as soon as possible (depends on how loaded the appliance is, ambient temperatures etc).
- Before loading the appliance with packages of fresh foods, make sure that they are cooled to ambient temperature. (excluding soups)
- Ice and frost layers increase energy consumption, so clean the appliance as soon as the frost layer is 3-5 mm thick.



# Important

- If you have bought this appliance to replace an old one equipped with a door lock that cannot be opened from the inside (lock, bolt), make sure that the lock is removed, disabled or destroyed before discarding. This will make it impossible for children to accidentally lock themselves inside the appliance and suffocate.
- The appliance must be properly connected to an electrical power supply. (See: Connection to Power Supply).
- If the food has a strange smell or color, throw it away, because it is very likely that it is spoiled and therefore is dangerous to consume.
- Always disconnect the appliance from the power supply before cleaning the appliance, replacing the light bulb and / or attempting repairs. **WARNING:** repairs should be preformed by qualified service personnel only.
- Do not defrost the appliance with other electric appliances (for example a hair dryer) and never attempt to scrape/remove ice/frost with sharp objects. Use only enclosed tools or tools recommended by the manufacturer.
- The refrigerating system of the appliance is filled with refrigerant and oil, so when the appliance is damaged, handle it with care and dispose of it in compliance with environmental protection safeguards. (See: We Care for the Environment).
- The rating plate containing Model No/Serial No and other technical data specific to this unit, is located either inside the appliance or outside on the rear wall.
- The refrigerator system of the appliance is filled with refrigerant and insulating substances which should be separately treated and processed. Call your nearest authorized service agent or specialized servicing center. If you are unable to locate one, contact your local authorities or your distributor. Be careful not to damage the tubes on the rear wall of the appliance (danger of pollution).

## IMPORTANT WARNING

An empty refrigerator is a very dangerous attraction to children. Remove either the gasket, latches, lids or doors from unused appliances, or take some other action that will guarantee it harmless.

**DANGER:** Risk of child entrapment. Before you throw away your old refrigerator or freezer:

- Take off the doors
- Leave the shelves in place so that children may not easily climb inside.

## DON'T WAIT! DO IT NOW!

## Dispose of Worn Out Appliances

- When your appliance finally wears out, dispose of it in a safe and harmless manner. If the appliance is equipped with a door lock that cannot be opened from the inside (lock, bolt), make sure the lock is removed, disable or destroyed before being discarded. This will make it impossible for children to accidentally lock themselves inside the appliance and suffocate.



# Placing and Installation

## CHOOSING THE RIGHT PLACE

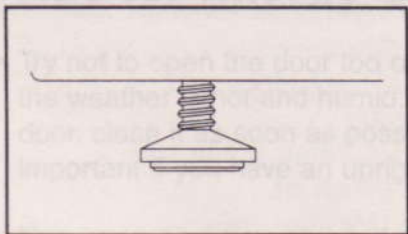
Place the appliance in a dry and regularly ventilated room. Never place the appliance near heat emitting devices (e.g. cooking appliances, radiators, water heaters or similar devices) and do not expose to direct sunlight.

The appliance should be positioned at least 3 cm away from electric or gas cooking appliances and at least 30 cm away from oil or coal fired stoves. If this is not possible, use an appropriate insulation barrier.

Behind the appliance there should be a free space at least 200 cm<sup>2</sup> wide and above the appliance kitchen units (cupboards) should be at least 5 cm away from the appliance in order to assure adequate ventilation.

## INSTALLATION

Place the appliance firmly on a solid base. Some appliances have adjustable feet on the front side; use them to level the appliance.



## WARNING

**Instructions pertaining to the risk of fire, electric shock, or injury to persons.**

## GROUNDING INSTRUCTIONS

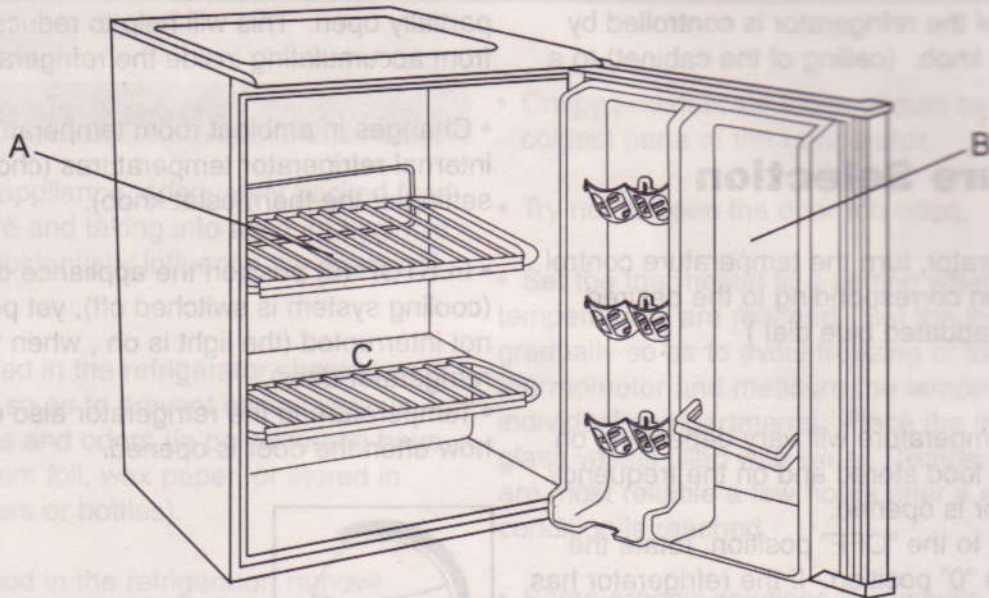
For your personal safety, this appliance must be grounded. In the event of a malfunction or breakdown, grounding will reduce the risk of electric shock by providing a path of least resistance for electric current. This appliance is equipped with a power cord having an equipment grounding conductor and grounding plug. The plug must be plugged into an appropriate wall outlet that is installed and grounded in accordance with all existing local codes and ordinances. Consult a qualified electrician or serviceman if the grounding instructions are not clearly understood, or if doubt exists as to whether the appliance is properly grounded.

## CONNECTION TO POWER SUPPLY

Connect the appliance power cord and plug to a properly grounded wall outlet. The required nominal voltage and frequency are indicated on the rating plate (inside the unit or on the exterior rear wall of the unit).



# Description of the Appliance



## **DAR195W/BL**

### **(A) Adjustable wire shelves**

Shelf can be optionally placed on the guides inside the appliance.

Perishable foods should be stored towards the back/rear of the shelves.

(ie: the coldest part of the shelf).

### **(B) Door Liner**

The door liner consists of various shelves or holders used for storing eggs, cheese butter and yogurt as well as other smaller packages, tubes, cans etc.

The lower shelf is used for storing large bottles.

### **(C) Defrost Water Outlet**

The interior of the refrigerator is cooled with a cooling plate mounted in the rear wall. Under the plate there is a channel and an outlet for defrost water.

Regularly check the defrost water outlet and the drain channel for blockage. They should always be kept free and clean of food particles. If the drain outlet does become clogged, use a plastic straw to clean it.

**WE RESERVE THE RIGHT TO ALTER THE SPECIFICATIONS WITH NO INFLUENCE ON THE OPERATION OF THE APPLIANCE.**

# Operation Control

The temperature of the refrigerator is controlled by setting thermostat knob. (ceiling of the cabinet) to a desired setting.

## Temperature Selection

To start the refrigerator, turn the temperature control knob to the position corresponding to the desired cooling ( on the graduated blue dial )

Fig A

The refrigerator temperature will vary depending on the quantity of the food stored and on the frequency with which the door is opened.

To turn the control to the "OFF" position, rotate the control knob to the "0" position. If the refrigerator has been left out of use for some time, set the control to maximum for 2-3 hours before turning to the desired position. If the refrigerator is not being used for long time periods, disconnect the plug and leave the door

partially open. This will help to reduce mold/mildew from accumulating inside the refrigerator cabinet.

- Changes in ambient room temperature will affect internal refrigerator temperatures (choose correct setting of the thermostat knob).
- In STOP (0) position the appliance does not operate (cooling system is switched off), yet power supply is not interrupted (the light is on , when you open the refrigerator door).
- Temperature in the refrigerator also depends on how often the door is opened.



FIG A

## INSTALLATION

Place the appliance firmly on a solid base. Some appliances have leveling legs on the front side, use them to level the appliance.

**(C) Defrost Water Outlet**  
The interior of the refrigerator is cooled with a cooling plate mounted in the rear wall. Under the plate there is a channel and an outlet for defrost water. Regularly check the defrost water outlet and the drain channel for blockage. They should always be kept free and clean of food particles. If the drain outlet does become clogged, use a plastic straw to clean it.

**(A) Adjustable wire shelves**  
Shelf can be optionally placed on the proper height. The appliance is equipped with a wire shelf. The shelf should be placed on the back of the shelves. The shelf should be placed on the back of the shelves. The shelf should be placed on the back of the shelves.

**(B) Door liner**  
The door liner consists of various shelves or holders used for storing eggs, cheese butter and yogurt as well as other smaller packages, tubes, cans etc. The lower shelf is used for storing large bottles.

WE RESERVE THE RIGHT TO ALTER THE SPECIFICATIONS WITH NO INFLUENCE ON THE OPERATION OF THE APPLIANCE.



# Use

## Storing Fresh Foods

Proper use of the appliance, adequately packed food, correct temperature and taking into account hygienic precautions will substantially influence the quality of the food stored.

- Foods to be stored in the refrigerator should be properly packed so as to prevent mixing various moisture degrees and odors (in polyethylene bags or sheet, aluminum foil, wax paper, or stored in covered containers or bottles).
- Before storing food in the refrigerator, remove excessive packaging (like yogurt in multi-package).
- Pack systematically and make sure that foodstuffs do not touch each other (various odors may mix). Assure adequate air circulation around packages.
- Never store flammable, volatile or explosive substances.
- Beverages with high alcohol percentage shall be stored in tightly sealed bottles in vertical position.
- Food should not touch the rear wall of the refrigerator
- Foods should be cooled down before storing.
- Crispy and delicate foods should be stored in the coldest parts of the refrigerator.
- Try not to open the door too often.
- Set the thermostat to a setting where lowest temperatures are reached. Set the thermostat gradually so as to avoid freezing of foods. Use a thermometer and measure the temperature in the individual compartments. Place the thermostat in a glass vessel filled with water. Temperature readings are most reliable a few hours after a steady state condition is reached.
- Some organic solutions like volatile oils in lemon and orange peel, acid in butter etc. can cause damage when in contact with plastic surfaces or gaskets for long periods of time.
- Unpleasant odors inside the refrigerator is a sign that something is wrong with foods or that your refrigerator needs cleaning. Unpleasant odors can be eliminated or reduced by washing the interior of the refrigerator with mild solution of water and vinegar. We also recommend using activated carbon filters to clean the air or to neutralize odors.
- If you are planning a long journey, make sure to remove perishable articles of food out of the appliance before you leave.



# Maintenance and Cleaning

## Automatic Defrosting of the Refrigerator

There is no need to defrost the refrigerator, because ice depositing on the inner back wall is defrosted automatically.

Ice build-up on the inner back wall during the compressor operation; will (when the compressor has cycled off) defrost automatically. Defrost water collects inside the drain through passing through the drain outlet in the inner back wall into a drain pan situated above the compressor, from where it evaporates.

## Cleaning the Appliance

Disconnect the power bar before cleaning the appliance.

Do not use coarse or aggressive cleaning agents as you can damage the surface.

Clean the exterior with water and detergent.

Remove the detachable accessories in the interior of the appliance and clean with water and liquid detergent. Plastic parts cannot be washed in dishwashers.

Wash the interior of the appliance with lukewarm water, adding one or two spoonfuls of vinegar.

After cleaning, connect the appliance to power supply and reload it.

## Switch Off the Appliance When Not In Use

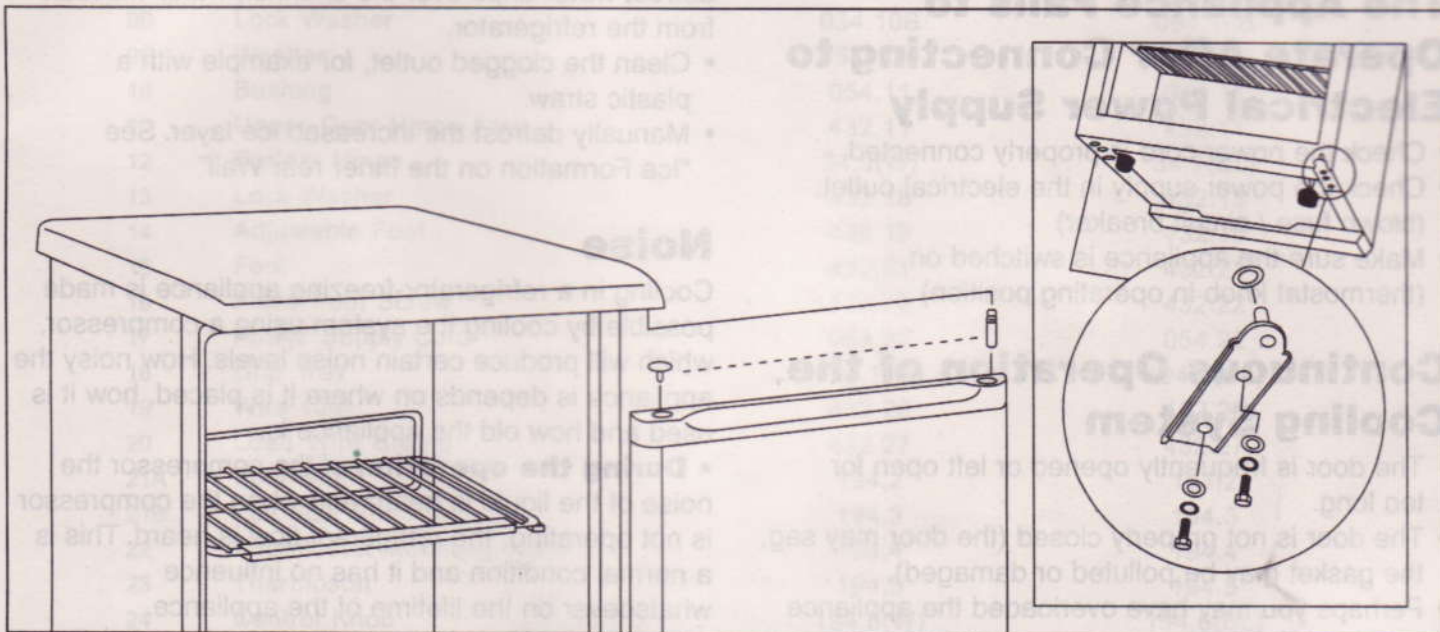
If you do not intend to use the appliance for long periods of time, (vacations) set the thermostat knob to the STOP (0) position, disconnect the power supply, take out the foods and defrost and clean the appliance. Leave the door slightly open.



- Before storing food in the refrigerator, remove excessive packaging (like yogurt in multi-packages).
- Pack systematically and make sure that foodstuffs do not touch each other (various odors may mix). Assume adequate air circulation around packages.
- Never store flammable volatile or explosive substances.
- Beverages with high alcohol percentage shall be stored in tightly sealed bottles in vertical position.
- Food should not touch the rear wall of the refrigerator.
- Foods should be cooled down before storing.

# Changing the Direction of the Door Opening (Swing)

If you find the direction of opening the door on your appliance inconvenient, you can change it. Holes on the opposite side have already been prepared in the factory.





# Trouble-Shooting Guide

Sometimes you may come across minor problems that in most cases do not require a service call and can be easily eliminated. The problem may have resulted from improper handling and/or installation of the appliance. Please refer to the below trouble-shooting guide to assist you in identifying the possible cause and solution to your problem. Should the problem still persist after completing these checkpoints. Contact the closest authorized service agent in your area for assistance.

## The Appliance Fails to Operate After Connecting to Electrical Power Supply

- Check the power cord is properly connected.
- Check the power supply in the electrical outlet. (blown fuse / circuit breaker)
- Make sure the appliance is switched on. (thermostat knob in operating position)

## Continuous Operation of the Cooling System

- The door is frequently opened or left open for too long.
- The door is not properly closed (the door may sag, the gasket may be polluted or damaged).
- Perhaps you may have overloaded the appliance with fresh foods.
- The reason may be inadequate ventilation of the compressor (assure adequate air circulation).

## Ice Formation on the Inner Rear Wall

As long as the defrost water runs to the channel and through the outlet to the drain pan on the compressor, automatic defrosting of the appliance is assured.

In case the ice formation on the inner back wall is increased (3-5 mm), ice should be manually defrosted.

Set the thermostat knob to **STOP (0)** position and leave the door open. Never use electric devices for defrosting and do not scrape the ice or frost layer with sharp objects.

After defrosting is complete, turn the knob to desired position and close the refrigerator door. The cause of

increased ice formation may be one of the following: the door does not seal well (clean the gasket if it is contaminated, or replace it if it is damaged);  
–the door is frequently opened or left too long;  
–the food stored in the refrigerator was warm;  
–the food or dish is touching the inner back wall.

## Water is Leaking From the Refrigerator

If the discharge water outlet is clogged, or the defrost water drips over the channel, water will leak from the refrigerator.

- Clean the clogged outlet, for example with a plastic straw.
- Manually defrost the increased ice layer. See "Ice Formation on the Inner rear Wall"

## Noise

Cooling in a refrigerator-freezing appliance is made possible by cooling the system using a compressor, which will produce certain noise levels. How noisy the appliance is depends on where it is placed, how it is used and how old the appliance is.

- **During the operation** of the compressor the noise of the liquid is heard and when the compressor is not operating, the refrigerant flow is heard. This is a normal condition and it has no influence whatsoever on the lifetime of the appliance.
- **After starting the appliance**, the operation of the compressor and the refrigerant flow may be louder, which does not mean that something is wrong with the appliance and it has no influence on the lifetime of the appliance. Gradually the noise is reduced.
- Sometimes **unusual and louder** noise is heard, which is rather unusual for the appliance. This noise is often a consequence of inadequate installation.
  - The appliance must be level and installed on a firm solid base/floor.
  - It should not touch the wall or kitchen units standing next to it.
  - Check the accessories on the interior of the appliance, they should be placed correctly in their positions; also check, bottles, tins, and other vessels are not touching each other causing rattling and/or vibrations.



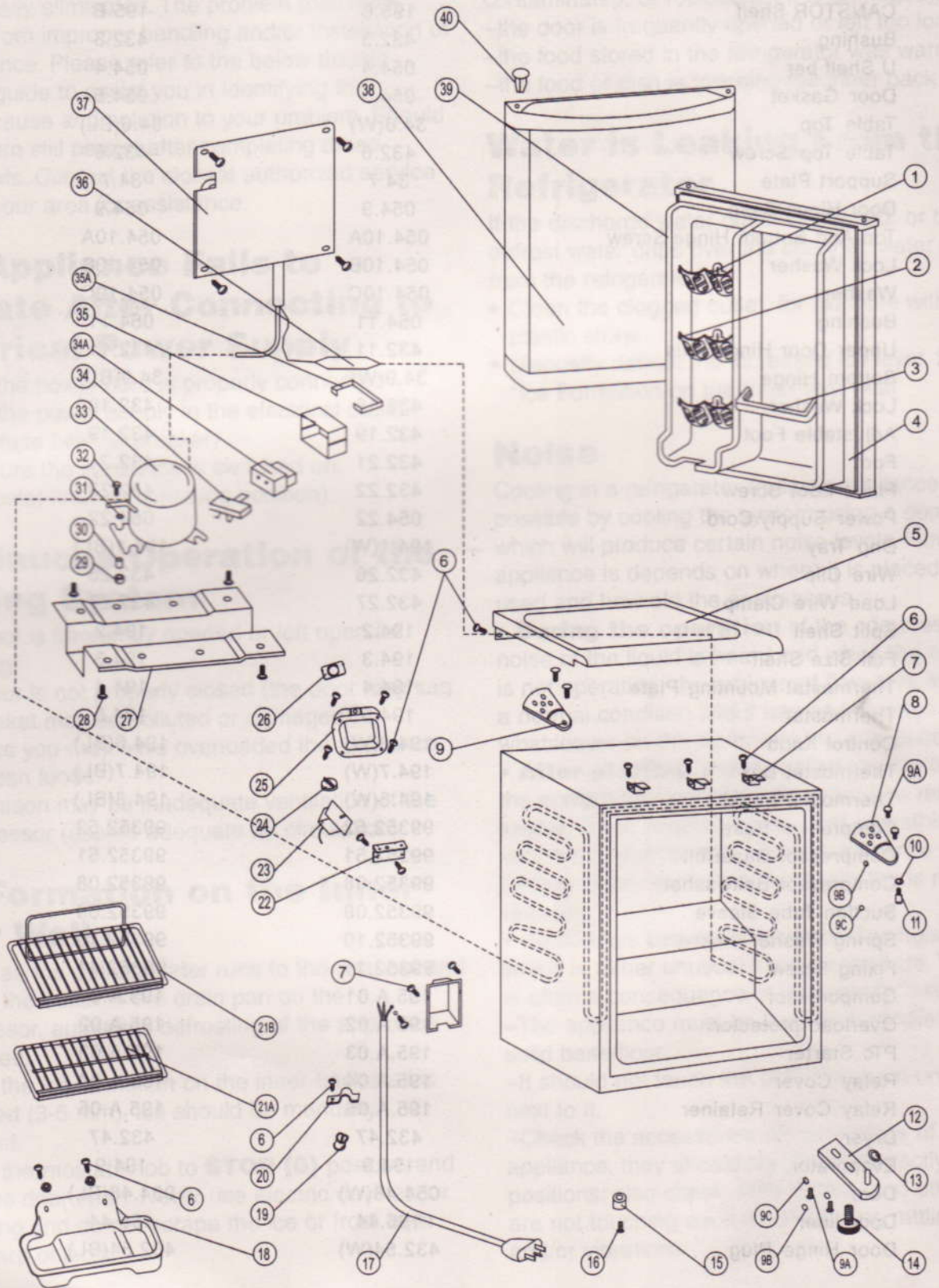
# PARTSLIST

Illus. NO.	Description	DAR195W Part No.	DAR195BL Part NO.
1	CANSTOR Shelf	195.B	195.B
2	Bushing	432.3	432.3
3	U Shelf bar	054.4	054.4
4	Door Gasket	054.5	054.5
5	Table Top	34.6(W)	34.6(BL)
6	Table Top Screw	432.6	432.6
7	Support Plate	34.7	34.7
8	Door Hings Base	054.9	054.9
9A	Top And Bottom Hinge Screw	054.10A	054.10A
9B	Lock Washer	054.10B	054.10B
9C	Washer	054.10C	054.10C
10	Bushing	054.11	054.11
11	Upper Door Hinge Axis	432.11	432.11
12	Bottom Hinge	34.9(W)	34.9(BL)
13	Lock Washer	432.18	432.18
14	Adjustable Foot	432.19	432.19
15	Foot	432.21	432.21
16	Fixed Foot Screw	432.22	432.22
17	Power Supply Cord	054.22	054.22
18	Dnp Tray	194.1(W)	194.1(BL)
19	Wire Clip	432.26	432.26
20	Load Wire Clamp	432.27	432.27
21A	Split Shelt	194.2	194.2
21B	Full Size Shelf	194.3	194.3
22	Thermostat Mounting Plate	194.4	194.4
23	Thermostat	194.5	194.5
24	Control Knob	194.6(W)	194.6(BL)
25	Thermostat Box	194.7(W)	194.7(BL)
26	Thermostat Panel	194.8(W)	194.8(BL)
27	Compressor Base	99352.52	99352.52
28	Compressor BaseBolt	99352.51	99352.51
29	Compressor Boltwasher	99352.08	99352.08
30	Suction Tube Sleeve	99352.09	99352.09
31	Spring Washer	99352.10	99352.10
32	Fixing Screw	99352.11	99352.11
33	Compoessor	195.A.01	195.A.01
34	Overload protector	195.A.02	195.A.02
34A	PTc Starter	195.A.03	195.A.03
35	Relay Cover	195.A.04	195.A.04
35A	Relay Cover Retainer	195.A.05	195.A.05
36	Dryer	432.47	432.47
37	Evaporator	194.9	194.9
38	Door	054.48(W)	054.48(BL)
39	Door liner	195.44	195.44
40	Door Hinge Plug	432.54(W)	432.54(BL)



# REPAIR PARTS

## Model DAR195W/BL





**Danby**<sup>®</sup> Designer

## LIMITED COMPACT REFRIGERATOR WARRANTY

This quality product is warranted to be free from manufacturer's defects in material and workmanship, provided that the unit is used under the normal operating conditions intended by the manufacturer.

This warranty is available only to the person to whom the unit was originally sold by Danby or by an authorized distributor of Danby, and is non-transferable.

### TERMS OF WARRANTY

Plastic parts, are warranted for thirty (30) days only from purchase date, with no extensions provided.

**First 18 Months** During the first eighteen (18) months, any electrical parts of this product found to be defective, including any sealed system units, will be repaired or replaced, at warrantor's option, at no charge to the ORIGINAL purchaser.

**Additional 42 Months** During the next forty-two (42) months any part of the sealed system found to be defective (consisting of compressor, condenser, evaporator, dryer and all related tubing) will be replaced without charge. The purchaser shall pay for all labor and return freight during this period for repair or replacement of any sealed system components. Any unit being diagnosed as non-functional due to sealed system failure and warranting an exchange will be subject to an appropriate depreciation or user fee, including any and all freight charges being levied against the consumer.

**To obtain Service** Danby reserves the right to limit the boundaries of "In Home Service" to the proximity of an Authorized Service Depot. Any appliance requiring service outside the limited boundaries of "In Home Service" it will be the consumer's responsibility to transport the appliance (at their own expense) to the original retailer (point of purchase) or a service depot for repair. Contact your dealer from whom your unit was purchased, or contact your nearest authorized Danby service depot, where service must be performed by a qualified service technician. If service is performed on the units by anyone other than an authorized service depot, or the unit is used for commercial application, all obligations of Danby under this warranty shall be at an end.

Nothing within this warranty shall imply that Danby will be responsible or liable for any spoilage or damage to food or other contents of this appliance, whether due to any defect of the appliance, or its use, whether proper or improper.

### EXCLUSIONS

Save as herein provided, Danby Products Limited (Canada) or Danby Products Inc. (U.S.A.), there are no other warranties, conditions, representations or guarantees, express or implied, made or intended by Danby Products Limited or its authorized distributors and all other warranties, conditions, representations or guarantees, including any warranties, conditions, representations or guarantees under any Sale of Goods Act or like legislation of statute is hereby expressly excluded. Save as herein provided, Danby Products Limited (Canada) or Danby Products Inc. (U.S.A.), shall not be responsible for any damages to persons or property, including the unit itself, howsoever caused or any consequential damages arising from the malfunction of the unit and by the purchase of the unit, the purchaser does hereby agree to indemnify and save harmless Danby Products Limited from any claim for damages to persons or property caused by the unit.

### GENERAL PROVISIONS

No warranty or insurance herein contained or set out shall apply when damage or repair is caused by any of the following:

- 1) Power Failure.
- 2) Damage in transit or when moving the appliance.
- 3) Improper power supply such as low voltage, defective house wiring or inadequate fuses.
- 4) Accident, alteration, abuse or misuse of the appliance such as inadequate air circulation in the room or abnormal operating conditions, (extremely high or low room temperature).
- 5) Use for commercial or industrial purposes.
- 6) Fire, water damage, theft, war, riot, hostility, acts of God such as hurricanes, floods etc.
- 7) Service calls resulting in customer education.

Proof of purchase date will be required for warranty claims; so, please retain bills of sale. In the event warranty service is required, present this document to our AUTHORIZED SERVICE DEPOT.

### Warranty Service

In Home Service on models 3.0 cu. ft. or greater.

Danby Products Limited  
PO Box 1778, 5070 Whitelaw RD, Guelph, Ontario, Canada N1H 6Z9  
Telephone: (519) 837-0920 FAX: (519) 837-0449

Danby Products Inc.  
PO Box 669, 101 Bentley Court, Findlay, Ohio, U.S.A. 45839-0669  
Telephone: (419) 425-8627 FAX: (419) 425-8629



**Danby**<sup>®</sup> *Designer*

Model • Modèle • Modelo

**DAR195W  
DAR195BL**

For service, contact  
your nearest service depot or call:  
**1-800-26-Danby**  
to recommend a depot in  
your area.

Pour obtenir le service, consultez  
votre succursale régionale de service  
ou téléphonez:  
**1-800-26-Danby**  
qui vous recommandera un  
centre régional.

Para servicio, comuníquese con su  
Departamento de Servicios más  
cercano o llame al:  
**1-800-26-Danby**  
para que le recomienden un  
Departamento de Servicios  
en su zona.

## COMPACT REFRIGERATORS

The model number of your compact refrigerator is found on the serial plate located on the back, top left-hand corner of the refrigerator.

All repair parts available for purchase or special order when you visit your nearest service depot. To request service and/or the location of the service depot nearest you, call the toll free number listed to the left in Canada and the U.S.

When requesting service or ordering parts, always provide the following information:

- Appliance
- Model Number
- Part Number
- Part Description

## RÉFRIGÉRATEUR COMPACT

Le numéro de modèle de votre réfrigérateur compact se trouve sur la plaque d'identification qui se trouve sur le coin du haut gauche de l'arrière du réfrigérateur.

Toutes les pièces de rechange sont disponibles immédiatement ou peuvent être commandées de votre Centre de Service régional. Pour obtenir le service et/ou le Centre de Service le plus proche, téléphonez le numéro sans-frais indiqué à gauche pour le Canada et les États-Unis.

Ayez les informations suivantes à la portée de la main, lors de la commande de pièces ou service:

- Appareil
- Numéro de modèle
- Numéro de pièce
- Description de la pièce

## REFRIGERADOR COMPACTO

El número del modelo de su refrigerador compacto se encuentra en la placa de serie ubicada en el ángulo posterior superior izquierdo del refrigerador.

Todas las piezas de repuesto se encuentran disponibles la para compra o por pedido especial cuando Ud. visite su departamento de servicio más cercano. Para solicitar servicio y/o la ubicación del departamento de servicio más cercano, llame al número de marcando gratis que aparece a la izquierda en el Canadá y en los E.U.

Cuando solicite servicio o encargue repuestos, siempre proporcione la siguiente información:

- Aparato
- Número de modelo
- Número del repuesto
- Descripción del repuesto

Danby Products Limited, PO Box 1778, Ontario, Canada N1H 6Z9  
Danby Products Inc., PO Box 669, Findlay, Ohio, USA 45839-0669