

SAVE THIS MANUAL FOR  
FUTURE REFERENCE

## owner's manual

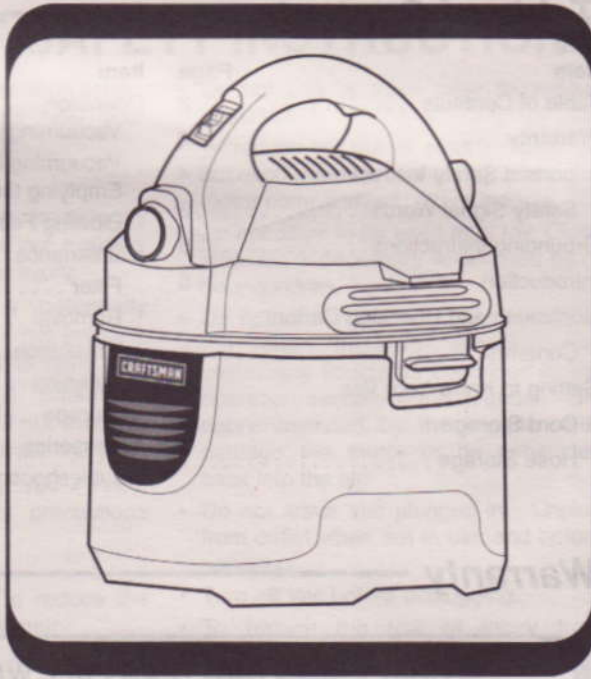
MODEL NO.  
**113.177135**

Serial  
Number \_\_\_\_\_

Model and serial  
numbers may be  
found on the handle.  
You should record  
both model and serial  
numbers in a safe  
place for future use.

## FOR YOUR SAFETY

READ ALL  
INSTRUCTIONS  
CAREFULLY



# CRAFTSMAN®

## 2 GALLON WET/DRY VAC

- safety
- assembly
- operating
- maintenance
- Español - página 13

Sears, Roebuck and Co., Hoffman Estates, IL 60179 U.S.A.

Part No. SP6523

Printed in China

## Table of Contents

Item	Page	Item	Page
Table of Contents	2	Operation	8
Warranty	2	Vacuuming Dry Materials	9
Important Safety Instructions	3-4	Vacuuming Liquids	9
Safety Signal Words	3	Emptying the Dust Drum	10
Grounding Instructions	5	Blowing Feature	10
Introduction	6	Maintenance	11
Unpacking and Checking Carton		Filter	11
Contents	6	Removal	11
Getting to Know Your Vac	7	Installation	11
Cord Storage	7	Cleaning	12
Hose Storage	7	Storage	12
		Accessories	12
		Troubleshooting	12

## Warranty

### CRAFTSMAN ONE YEAR FULL WARRANTY

If this Craftsman product fails due to a defect in material or workmanship within one year from the date of purchase, return it to your nearest Sears store or other Craftsman outlet in the United States for free replacement.

This warranty applies for only 90 days from the date of purchase if this product is ever used for commercial or rental purposes.

This warranty does not include bags or filters, which are expendable parts that can wear out from normal use within the warranty period.

This warranty gives you specific legal rights, and you may also have other rights, which vary, from state to state.

Sears, Roebuck and Co., Hoffman Estates, IL. 60179

**WARNING:** The power cord on this product contains lead, a chemical known in the State of California to cause birth defects or other reproductive harm. *Wash hands after handling.*

# IMPORTANT SAFETY INSTRUCTIONS

Safety is a combination of common sense, staying alert, and knowing how your Wet/Dry Vac works.

## Safety Signal Words

**DANGER:** Indicates an imminently hazardous situation which, if not avoided, will result in death or serious injury.

**WARNING:** Indicates a potentially hazardous situation which, if not avoided, could result in death or serious injury.

**CAUTION:** Indicates a potentially hazardous situation which, if not avoided, may result in minor or moderate injury.

When using your Wet/Dry Vac ("Vac"), always follow basic safety precautions including the following:

## WARNING

- To reduce the risk of fire, electric shock, or injury:

- Read and understand this owner's manual and all labels on the Vac before operating.
  - Use only as described in this manual. Use only Craftsman recommended accessories.
  - Do not leave Vac running while unattended.
  - Sparks inside the motor can ignite flammable vapors or dust. To reduce the risk of fire or explosion:
    - Do not vacuum or use near flammable or combustible liquids, gases, or explosive dusts, such as gasoline or other fuels, lighter fluid, cleaners, oil based paints, natural gas, hydrogen, coal dust, magnesium dust, aluminum dust, grain dust, or gun powder.
    - Do not use as a sprayer.
  - Do not vacuum anything that is burning or smoking, such as cigarettes, matches, or hot ashes.
  - Do not vacuum drywall dust or cold fireplace soot or ash with standard filter. This is a very fine dust which may be exhausted back into the air.
  - To reduce the risk of health hazards from vapors or dust, do not vacuum toxic materials.
- Do not use or store near hazardous materials.
  - To reduce the risk of electric shock, do not expose to rain or allow liquid to enter motor compartment. Store indoors.
  - Do not allow to be used as a toy. Close attention is necessary when used by or near children.
  - Do not use with a torn filter or without the filter installed except when vacuuming liquids as described in the operation section of this manual. Dry debris ingested by the impeller may damage the motor or be exhausted back into the air.
  - Do not leave Vac plugged in. Unplug from outlet when not in use and before servicing.
  - Turn off Vac before unplugging.
  - To reduce the risk of injury from accidental starting, unplug power cord before changing or cleaning filter.
  - Do not unplug by pulling on cord. To unplug, grasp the plug, not the cord.
  - Do not use with damaged cord, plug or other parts. If your Vac is not working as it should, has missing parts, has been dropped, damaged, left outdoors, or dropped into water, return it to a Sears Service Center.
  - Do not pull or carry by cord, use cord as handle, close a door on cord, or pull cord around sharp edges or corners. Do not run Vac over cord. Keep cord away from heated surfaces.
  - Do not handle plug, switch, or the Vac with wet hands.
  - Do not put any object into ventilation openings. Do not vacuum with any ventilation openings blocked; keep free of dust, lint, hair or anything that may reduce air flow.
  - Keep hair, loose clothing, fingers, and all parts of body away from openings and moving parts.
  - To reduce the risk of falls, use extra care when cleaning on stairs.
  - To reduce the risk of personal injury or damage to Vac, use only Craftsman recommended accessories.

- Connect only to a properly-grounded outlet. See grounding instructions.

**WARNING:** To reduce the risk of eye injury, wear safety eyewear. The operation of any utility vac or blower can result in foreign objects being blown into the eyes, which can result in severe eye damage. Always wear safety eyewear complying with ANSI Z87.1 (or in Canada CSA Z94.3) before starting operation. Everyday eyeglasses are not safety glasses and could seriously hurt you when they break.

**CAUTION:** To reduce the risk of hearing damage, wear ear protectors when using the vac for extended hours or when using it in a noisy area.

**CAUTION:** For dusty operations, wear dust mask.

**NOTE:** Static shocks are common in dry areas or when the relative humidity of the air is low. Vacuuming fine debris with your vac can deposit static charge on the hose or on the Vac. The best remedy to reduce the frequency of static shocks in your home or when using this Vac is to add moisture to the air with a humidifier.

**WARNING:** Use only extension cords that are rated for outdoor use. Extension cords in poor condition or that are too small in wire size can pose fire and shock hazards. To reduce the risk of these hazards when using an extension cord, be sure it is in good condition and that the connection does not come into contact with liquid. To keep power loss to a minimum, use the following table to choose the minimum wire size extension cord.

Extension Cord Length	Gauge A.W.G.
0-50 Ft.	14
50-100 Ft.	12

Observe the following warnings that appear on the motor housing of your Vac:

**WARNING:** To reduce the risk of electric shock - do not expose to rain - store indoors.

**WARNING:** For your own safety, read and understand owner's manual. Do not run unattended. Do not pick up hot ashes, coals, toxic, flammable or other hazardous materials. Do not use around explosive liquids or vapors.

**SAVE THIS MANUAL FOR FUTURE REFERENCE**

## Grounding Instructions

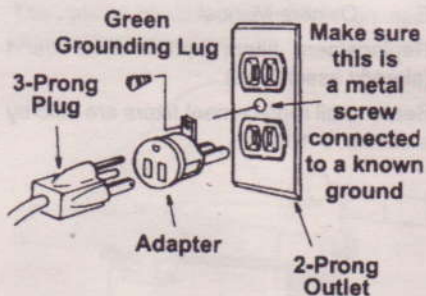
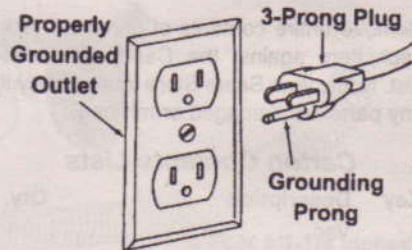
This appliance must be grounded. If it should malfunction or break down, grounding provides a path of least resistance for electric current to reduce the risk of electric shock. This appliance is equipped with a cord having an equipment-grounding conductor and grounding plug. The plug must be inserted into an appropriate outlet that is properly installed and grounded in accordance with all local codes and ordinances.

**WARNING:** Improper connection of the equipment grounding conductor can result in a risk of electric shock. Check with a qualified electrician or service person if you are in doubt as to whether the outlet is properly grounded. Do not modify the plug provided with the appliance - if it will not fit the outlet, have a proper outlet installed by a qualified electrician.

This appliance is for use on a nominal 120 volt circuit, and has a grounded plug that looks like the plug shown. A temporary adaptor that looks like the adaptor shown may be used to connect this plug to a 2-pole receptacle, as shown. If a properly grounded outlet is not available, the temporary adaptor should be used only until a properly grounded outlet can be installed by a qualified electrician. The green colored rigid ear, lug or the like extending from the adaptor must be connected to a permanent ground such as

a properly grounded outlet box cover. Whenever the adaptor is used, it must be held in place by a metal screw.

**NOTE:** In Canada, the use of a temporary adaptor is not permitted by the Canadian Electrical Code.



## Introduction

This vac is intended for household use only. It may be used for light vacuuming of wet or dry media and may also be used as a blower. The light weight design allows usage for most small household vacuuming chores. Familiarize yourself with the following product features and read the entire owner's manual for specific usage of your new wet/dry vac.

## Unpacking and Checking Carton Contents

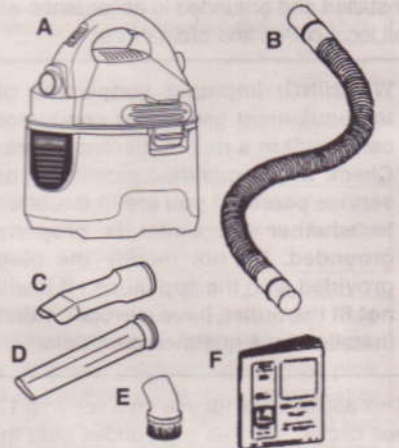
Remove entire contents of carton. Check each item against the Carton Contents List. Notify your Sears Store immediately if any parts are damaged or missing.

### Carton Contents Lists

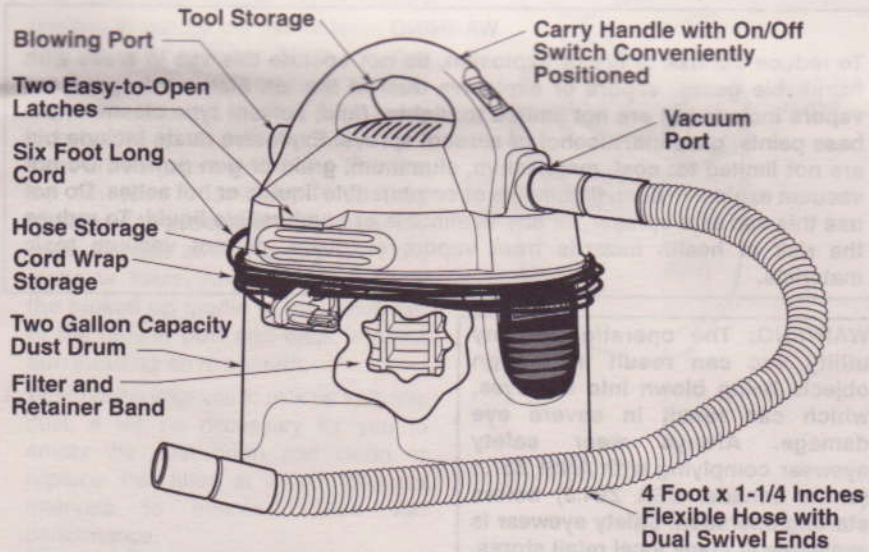
Key	Description	Qty.
A	Vac.....	1
B	Hose.....	1
C	Car Nozzle.....	1
D	Crevice Tool.....	1
E	Dusting Brush.....	1
F	Owners Manual.....	1

Replacement filters and retainer band (already assembled)

Sears retail replacement filters are sold by stock no. 9-16949.



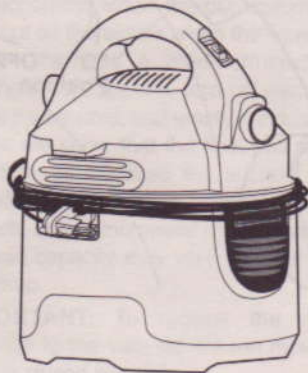
## Getting to Know Your Vac



### Cord Storage

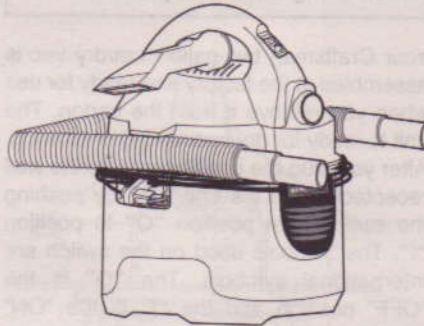
Coil the power cord tightly around the dust drum.

**CAUTION:** A partially unwrapped cord may fall in coils near your feet. To avoid this tripping hazard, always fully unwrap the cord before plugging it in.



### Hose Storage

The power head has recesses on each side for hose storage.



## Operation

### WARNING

To reduce the risk of fire or explosion, do not operate this vac in areas with flammable gases, vapors or explosive dust in the air. Flammable gases or vapors include but are not limited to: lighter fluid, solvent type cleaners, oil-base paints, gasoline, alcohol or aerosol sprays. Explosive dusts include but are not limited to: coal, magnesium, aluminum, grain or gun powder. Do not vacuum explosive dust, flammable or combustible liquids or hot ashes. Do not use this vac as a sprayer for any flammable or combustible liquid. To reduce the risk of health hazards from vapors or dusts, do not vacuum toxic materials.

**WARNING:** The operation of any utility vac can result in foreign objects being blown into the eyes, which can result in severe eye damage. Always wear safety eyewear complying with ANSI Z87.1 (or in Canada, CSA Z94.3) before starting operation. Safety eyewear is available at many local retail stores.

**CAUTION:** To reduce risk of hearing damage, wear ear protectors when using the vac for extended hours or when using it in a noisy area.

Your Craftsman two-gallon wet/dry vac is assembled at the factory and ready for use when you remove it from the carton. The unit is ready for dry vacuuming or blowing. After you plug the power cord into the wall receptacle, turn the unit "ON" by pushing the switch from position "O" to position "I". The symbols used on the switch are international symbols. The "O" is the "OFF" position and the "I" is the "ON" position.

○ = OFF | = ON





## Vacuating Dry Materials

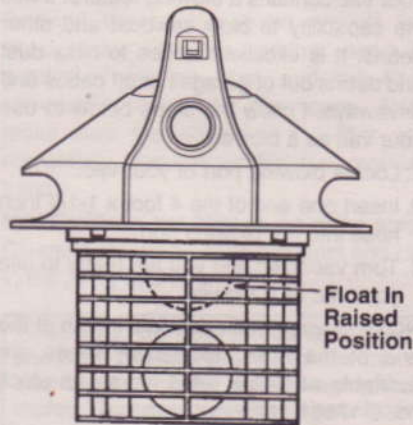
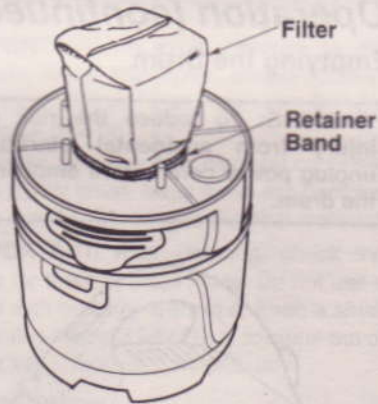
1. The filter must always be in correct position to reduce the risk of leaks and possible damage to vac. Make sure that the filter is completely covering the filter cage and that the retainer band is as close to the lid as possible. Make sure there are no gaps between the filter and the lid. (See illustration). **It is very important to assemble the filter to the cage without allowing any possible leaks or tears. Any leaks will allow the picked up media to be blown out of the blower port and back into the surrounding environment.**
2. When using your vac to pick up very fine dust, it will be necessary for you to empty the dust drum and clean or replace the filter at more frequent intervals to maintain peak vac performance.

**NOTE:** A dry filter is necessary to pick up dry material. If you use your vac to pick up dust when the filter is wet, the filter will clog quickly and be very difficult to clean. In case the filter gets wet, replace it before continuing to do dry pickups.

## Vacuating Liquids

1. Removal of the filter is highly recommended for wet pickups.
2. This wet/dry vac is equipped with a float mechanism which will rise automatically to cut off the airflow when the liquid in the drum reaches a predetermined level. When this happens, turn off vac, unplug the power cord, and empty the dust drum. You will know that the float has shut the airflow off because the suction ceases and the motor noise becomes higher in pitch, due to increased motor speed. The liquid capacity may vary with the rate of pickup.

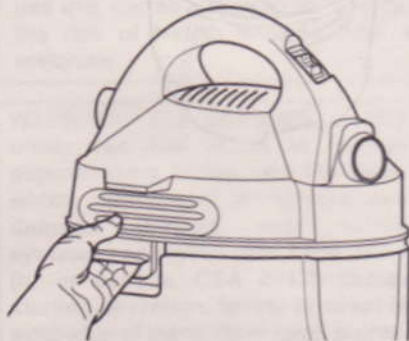
**IMPORTANT:** To reduce the risk of damage to the vac, do not run motor with float in raised position.



## Operation (continued)

### Emptying the Drum

**WARNING:** To reduce the risk of injury from accidental starting, unplug power cord before emptying the drum.



1. Remove the power head assembly of the wet/dry vac by pulling outward on the latches located on each side of the vac. Lift off the power head assembly.
2. Dump the drum contents into the proper waste disposal container.



### Blowing Feature

Your vac contains a blowing feature. It has the capability to blow sawdust and other debris. It is excellent to use to blow dust and debris out of garages or off patios and driveways. Follow the steps below to use your vac as a blower.

1. Locate blowing port of your vac.
2. Insert one end of the 4 foot x 1-1/4 inch hose into the blowing port.
4. Turn vac "ON" and you are ready to use your vac as a blower.

**NOTE:** If you need additional length at the end of the hose, extension wands are available at Sears retail stores as stock no. 9-17861.

**WARNING:** Always wear safety eyewear complying with ANSI Z87.1 (or in Canada CSA Z94.3) when using as a blower.

**WARNING:** To avoid injury to bystanders, keep them clear of blowing debris.

**CAUTION:** Wear a dust mask if blowing creates dust which might be inhaled.

**CAUTION:** To reduce the risk of hearing damage, wear ear protectors when using the vac/blower for extended hours or when using it in a noisy area.

# Maintenance

## Filter

**WARNING:** To reduce the risk of injury from accidental starting, unplug power cord before changing or cleaning filter.

Your filter should be cleaned often to maintain peak vac performance.

### Easy to Replace Filter

1. Extend the retainer band around the plastic posts on the lid (See Figure 1 and 2).
2. Remove filter bag off the filter cage.
3. Place the replacement filter on the filter cage until open end touches bottom of lid.
4. Release the retainer band from the plastic post on the lid, holding the filter bag secure to the lid.
5. Make sure the retainer band is positioned on the filter bag between the printed lines (See Figure 3).

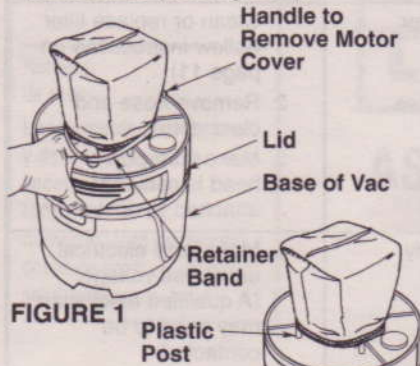


FIGURE 2



**IMPORTANT:** To avoid damage to the blower wheel and motor, always reinstall the filter before using the vac for dry material pick-up.

Take the dirty filter to a disposal container and gently brush away small dirt particles that may be adhering to the filter material.

**IMPORTANT:** After cleaning, check the filter for tears or small holes. Do not use a filter with holes or tears in it. Even a small hole can cause a lot of dust to come out of your vac. Replace it immediately.

### Installation

New filters may be purchased at area Sears retail stores, Sears retail replacement filters are sold by stock no. 9-16949.

**NOTE:** Before installing the filter on the vac, clean the area of the lid so that the retainer band will seal the bag against the lid and stop small particles from bypassing the filter bag.

If the filter is clean and not damaged, replace it on the filter cage. If it cannot be reused, place a new filter over the filter cage.

Replace the retainer band around the filter. Make sure the retainer band is positioned on the filter, and the filter completely covers the filter cage. Also, make sure the edges of the filter are completely secured under the retainer band.

**NOTE:** Clean the filter in an open area. Cleaning should be done outdoors and not in the living quarters.

**WARNING:** Do not remove filter cage and float. The float prevents water from entering the impeller and damaging the motor. The cage prevents fingers from touching the moving impeller.

## Maintenance (continued)

### Cleaning

To keep your Wet/Dry Vac looking its best, clean the outside with a cloth dampened with warm water and mild soap.

To clean the drum:

1. Dump debris out.
2. Wash drum thoroughly with warm water and mild soap.
3. Wipe out with dry cloth.

### Storage

Before storing your vac, the dust drum should be emptied and cleaned. The cord should be wrapped around the unit and the hose should be stored as described in the cord/hose storage section in this manual. Accessories should be kept in the same area as the vac so they can be readily available. The vac should be stored indoors.

## Accessories

Sears offers many specialized 1-1/4" non-mechanical cleaning accessories that may be used with this wet/dry vac.

Wet/dry vac accessories may be found at all Sears retail stores and may also be ordered from the Sears "Power and Hand Tool" Catalog.

## Troubleshooting

Problem	Cause	Remedy
Vac will not pick up dirt	<ol style="list-style-type: none"><li>1. Clogged filter</li><li>2. Clogged hose</li><li>3. Air leak</li></ol>	<ol style="list-style-type: none"><li>1. Clean or replace filter (follow instructions on page 11)</li><li>2. Remove hose and clear debris.</li><li>3. Make sure power head is securely attached to dust drum.</li></ol>
Vac will not run	<ol style="list-style-type: none"><li>1. No electricity</li></ol>	<ol style="list-style-type: none"><li>1. Make sure electrical outlet has voltage. (A qualified electrician may need to be contacted).</li></ol>

**WARNING:** If any of the power head assembly parts should become detached or broken, exposing motor or any other electrical components, operation should be discontinued immediately to avoid personal injury or further damage to the vacuum. Repairs should be made before reusing the vacuum.

# Get it fixed, at your home or ours!

## Your Home

For repair – **in your home** – of all major brand appliances, lawn and garden equipment, or heating and cooling systems, **no matter who made it, no matter who sold it!**

For the replacement parts, accessories and owner's manuals that you need to do-it-yourself.

For Sears professional installation of home appliances and items like garage door openers and water heaters.

**1-800-4-MY-HOME®**  
(1-800-469-4663)  
[www.sears.com](http://www.sears.com)

Anytime, day or night  
(U.S.A. and Canada)  
[www.sears.ca](http://www.sears.ca)

## Our Home

For repair of carry-in products like vacuums, lawn equipment, and electronics, call or go on-line for the nearest **Sears Parts and Repair Center.**

**1-800-488-1222**

Call anytime, day or night (U.S.A. only)

[www.sears.com](http://www.sears.com)

To purchase a protection agreement (U.S.A.) or maintenance agreement (Canada) on a product serviced by Sears:

**1-800-827-6655** (U.S.A.)

**1-800-361-6665** (Canada)

Para pedir servicio de reparación a domicilio, y para ordenar piezas:

**1-888-SU-HOGAR<sup>SM</sup>**  
(1-888-784-6427)

Au Canada pour service en français:

**1-800-LE-FOYER<sup>MC</sup>**  
(1-800-533-6937)  
[www.sears.ca](http://www.sears.ca)



© Sears, Roebuck and Co.

® Registered Trademark / ™ Trademark / ℠ Service Mark of Sears, Roebuck and Co.

® Marca Registrada / ™ Marca de Fábrica / ℠ Marca de Servicio de Sears, Roebuck and Co.

<sup>MC</sup> Marque de commerce / <sup>MD</sup> Marque déposée de Sears, Roebuck and Co.

Part No. SP6523

Form No. SP6523-4

Printed in China 01/07